



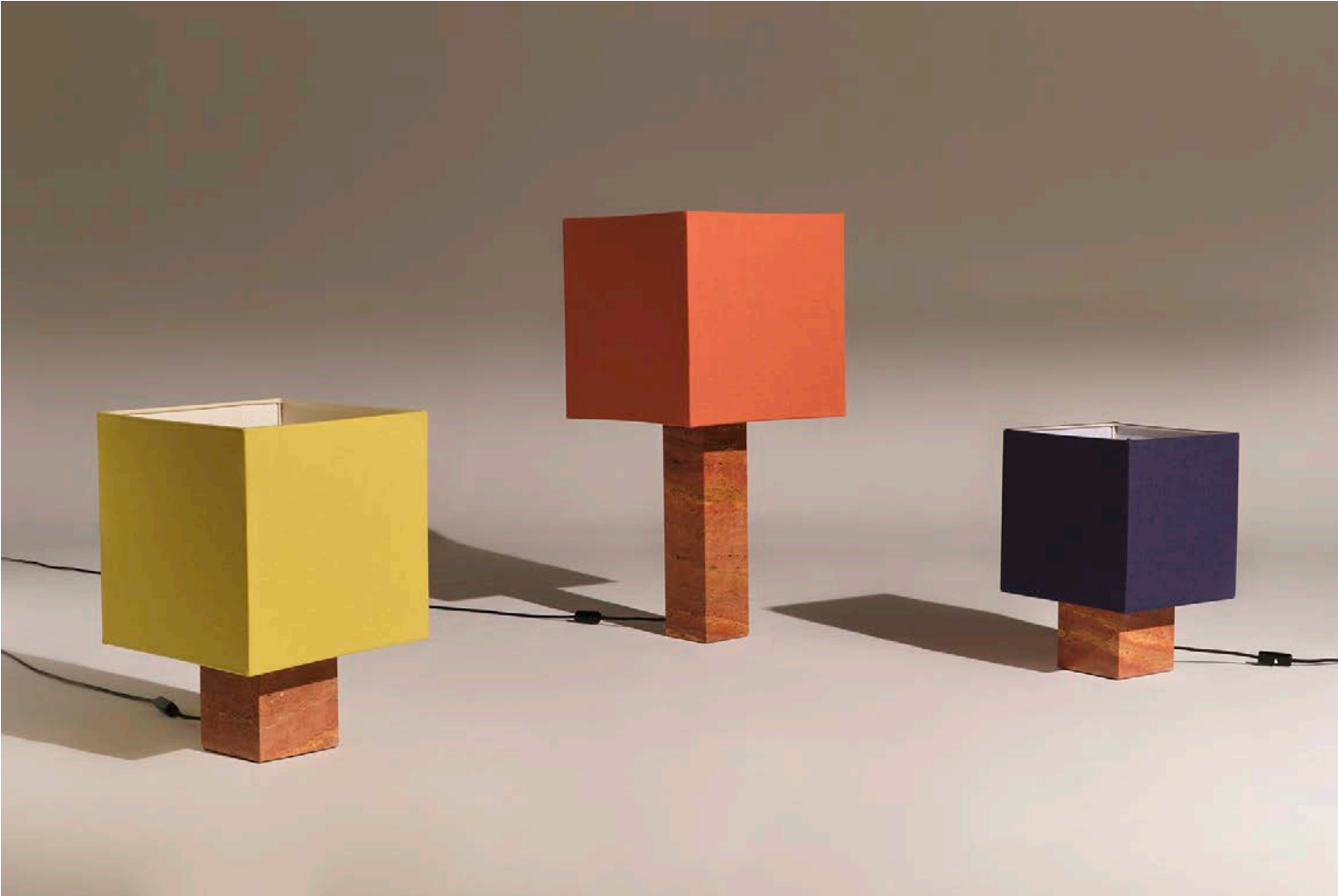
**MOUSE**

**An established part of the handmade lampshade world since 1960, Nassi tells the story of 3 generations of women. It weaves together the skills of artisan workmanship with the exploration of design vs. everyday objects.**

**These lamps are made in Puglia, in southern Italy, and have a connection to a land that is dry and brimming with symbols, a land that is poor and warm, hard and poetic. Nassi connects the traditional classic lampshade with pure shapes, the pleasure of filtered light with the quality of particular materials, reducing and refining to arrive at a new romantic rationalism.**



Roma



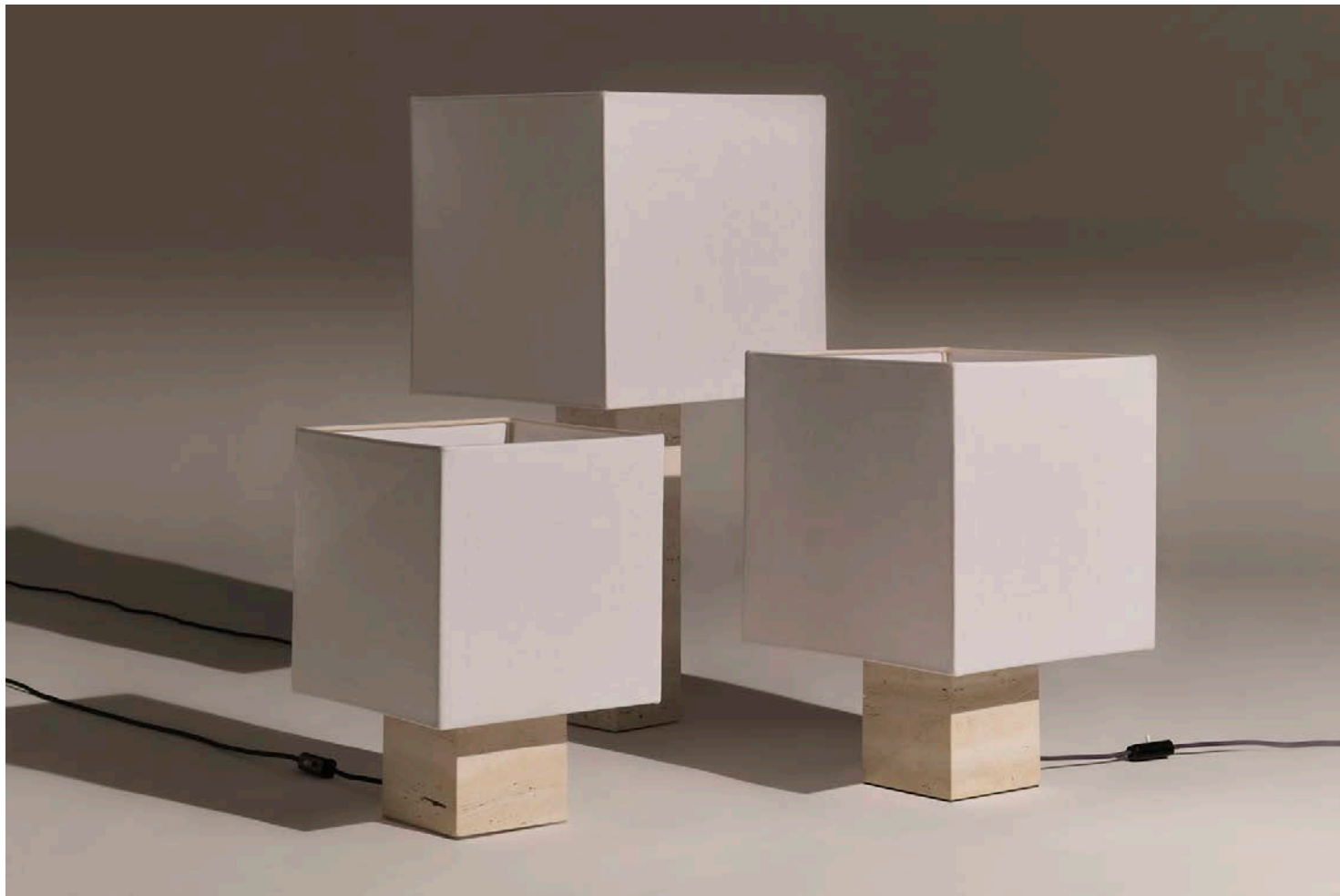




Roma



# Roma



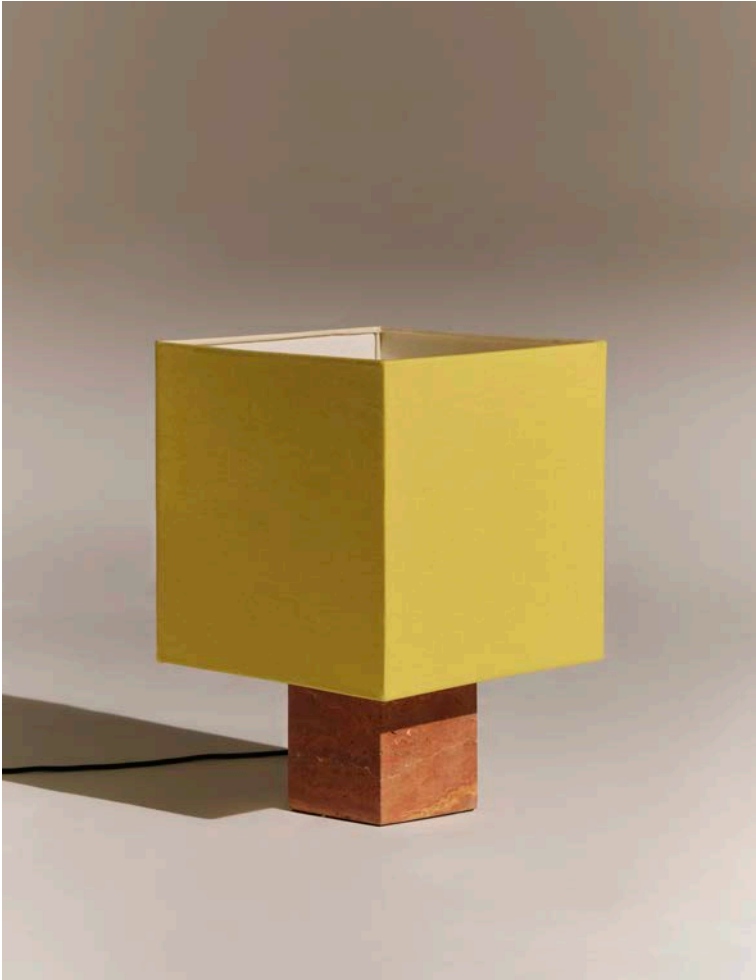
## Model one



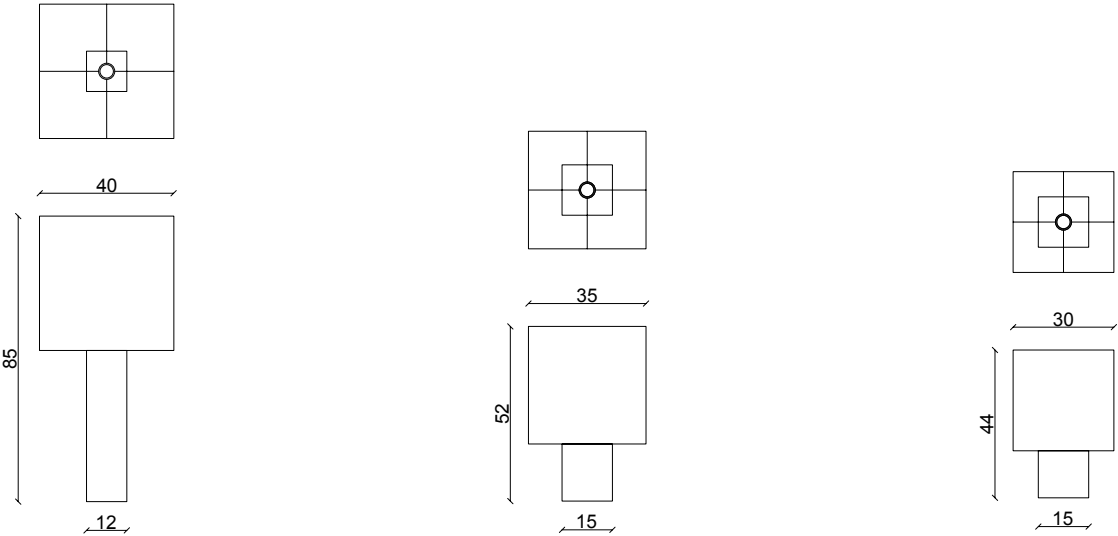




# Roma



## Model one

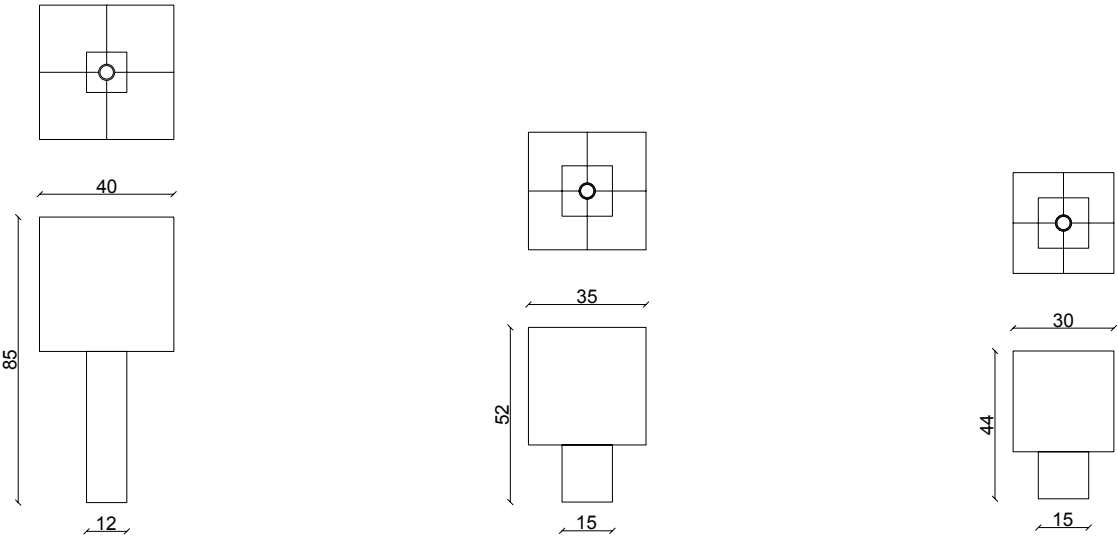




# Roma



## Model one





Model two

Roma





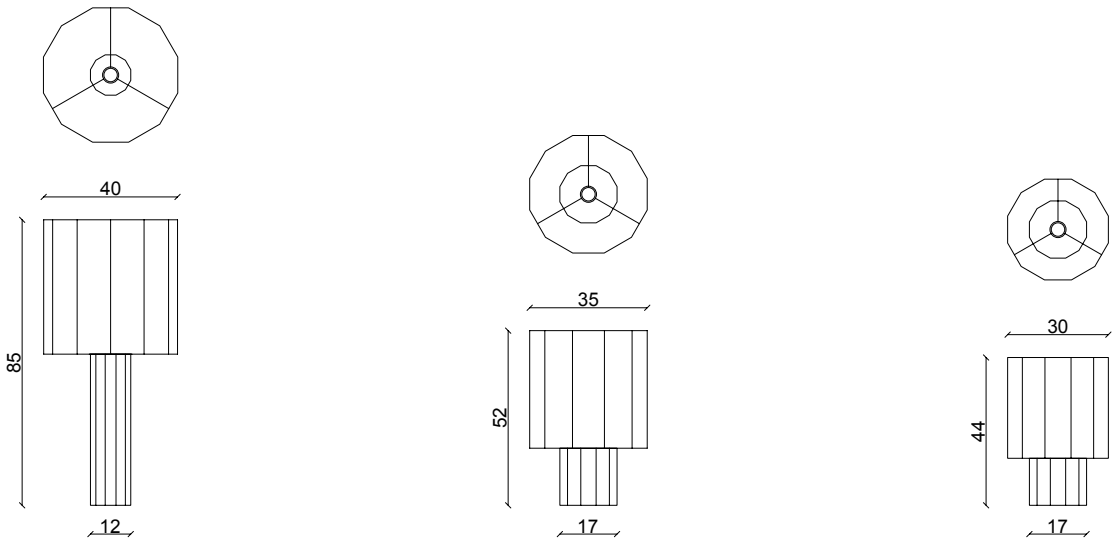




# Roma



## Model two



Roma



Nassi

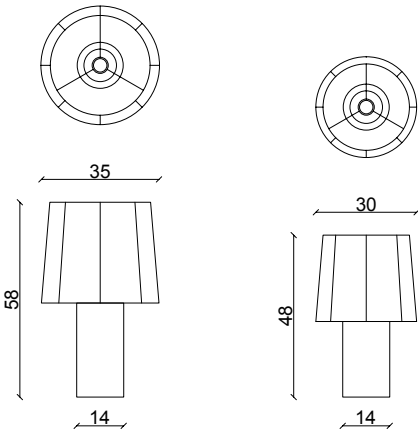
Sonora



# Sonora



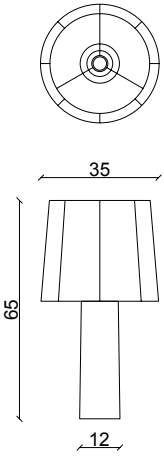
## Model one



# Sonora



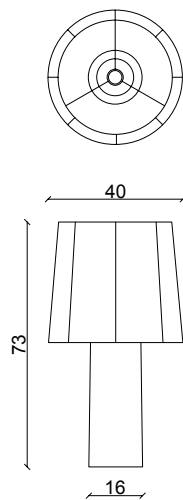
## Model two



# Sonora



## Model three



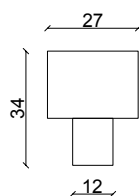


**Sonora**

**Rattan**



**Model one**



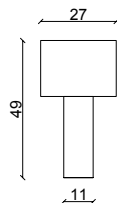


**Sonora**

**Rattan**



**Model two**



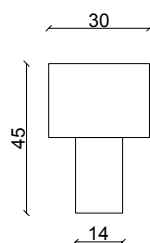
**Materials: terracotta, iron, rattan**

**Sonora**

**Rattan**



**Model three**



**Materials: terracotta, iron, rattan**

Sonora



Nassi

# Piramide



# Piramide



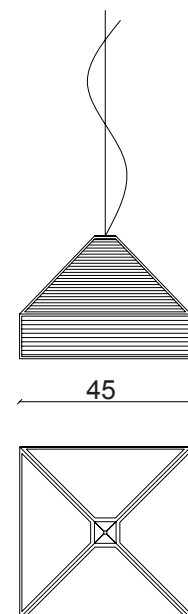
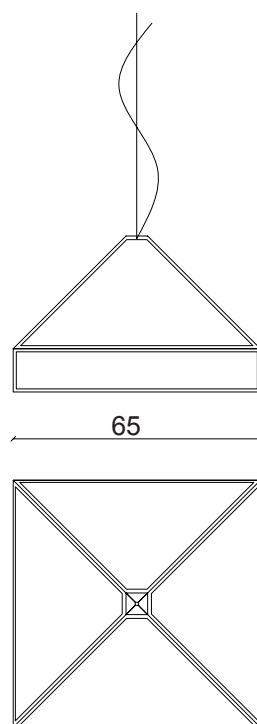
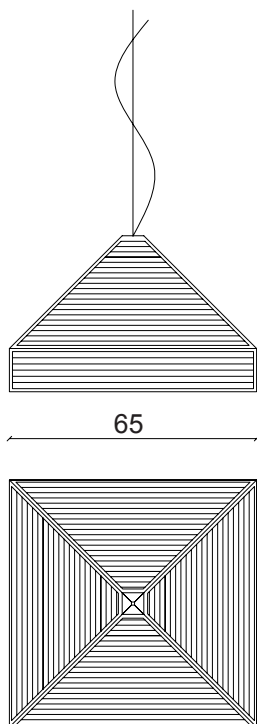
**Piramide**



# Piramide



pleated or plain, in two dimensions



**Contacts**    **Via ferrante caracciolo 2**  
**73100 Lecce (IT)**  
**+39 3515080879**  
**[info@nassilamps.com](mailto:info@nassilamps.com)**







**MOUSE**